



STEEL CITY CORPORATION

Versa Carts

ASSEMBLY INSTRUCTIONS

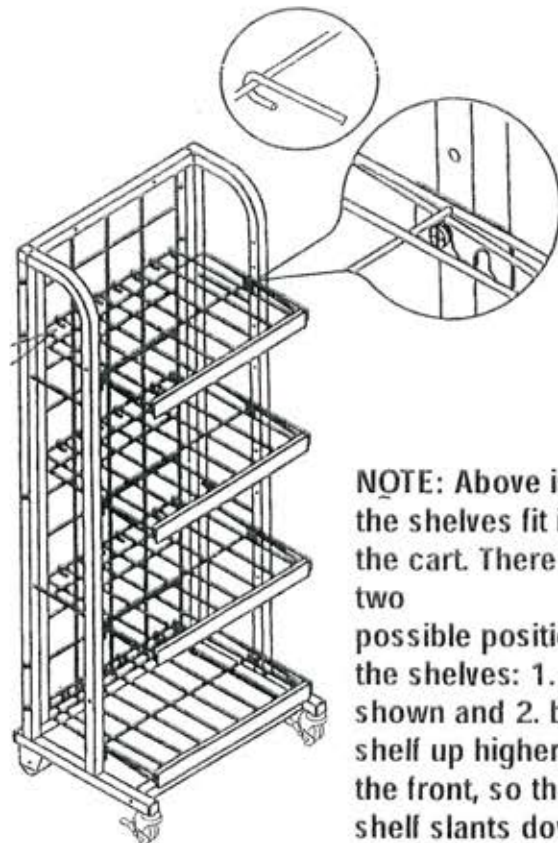
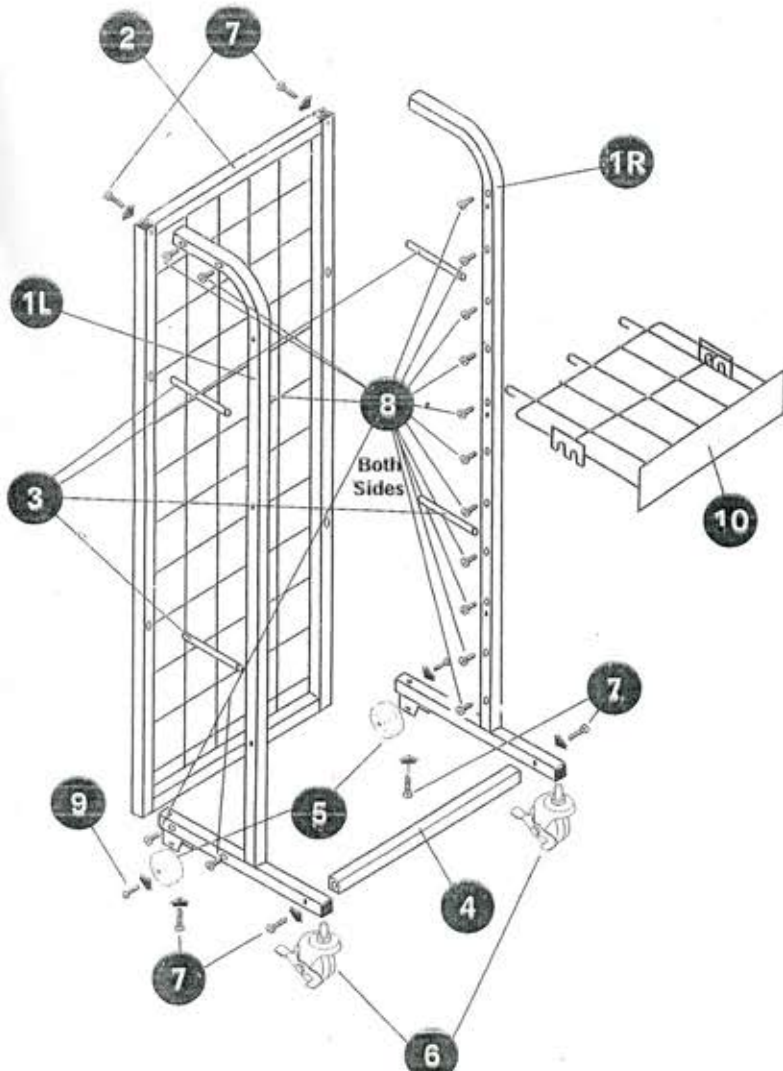
Model DN 1651/4 and Model DN 1633/2

Please study the Diagram carefully before assembling

No.	1	2	3	4	5	6	7	8	9	10
P A R T S										
No.	L x 1 R x 1	1	2 or 4	1	2	2	6	20 or 30	2	2 or 4
Pcs.										

1. Place units (No. 1L and 1R) onto (No. 2) with part (No. 3) between them in provided holes.
2. Insert 2 screws (No. 7) into part (No. 2) from the back, it should go all the way through into part (No.'s 1L and 1R).
3. Insert 2 screws (No. 7) into part (No.'s 1L and 1R) from underneath each into part (No. 2) and tighten all the screws securely.
4. Insert part (No. 4) between (No. 1L and 1R) and screw together with two (No. 7) screws and tighten slightly.

5. Place back wheels (No. 5) into No.'s 1L and 1R wheel slots and insert screws (No. 9) thru slot holes and wheels.
6. Screw in the front locking wheels (No. 6) into (No.'s 1L and 1R) and tighten with the provided wrench.
7. Screw in screws (No. 8) into each side of part (No. 1L and 1R) and tighten to about 1/8" from being fully screwed in.
8. Tighten all (No. 7) screws snugly with the provided allen wrench.
9. Insert shelves (No. 10) were you want. (See Below)



NOTE: Above is how the shelves fit into the cart. There are two possible positions for the shelves: 1. as shown and 2. back of shelf up higher than the front, so that the shelf slants downward.