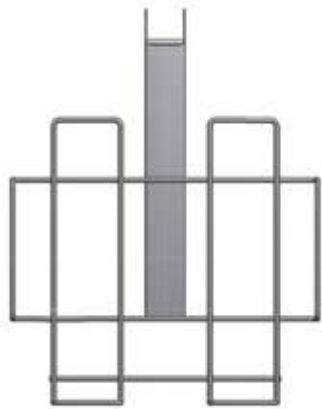
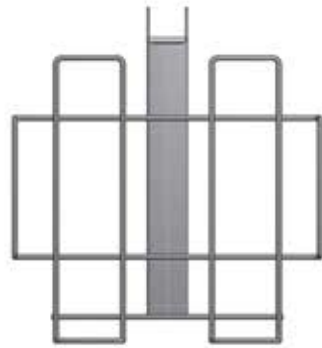


F24 Newscenter



Lower Shelves (4x)
These are longer



Top Shelves (2x)
These are shorter



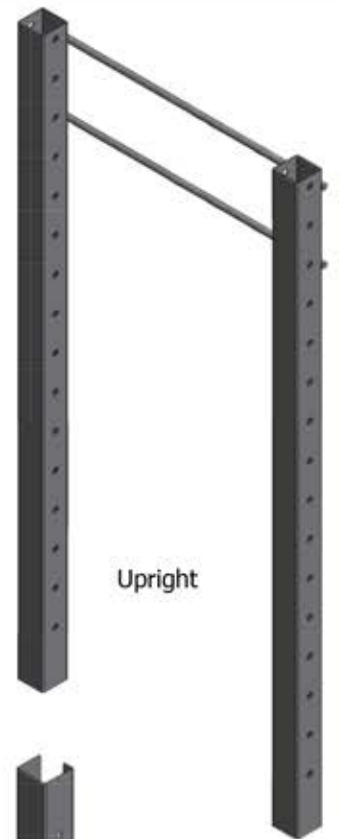
Wheels (2x no brake)
(2x with brake)



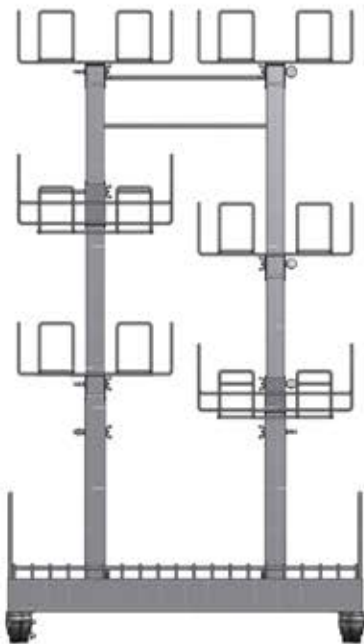
Screw (8x)



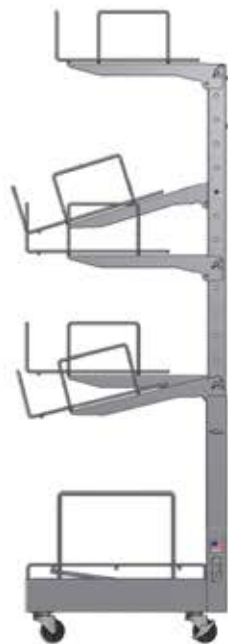
Wing Nut
(8x)



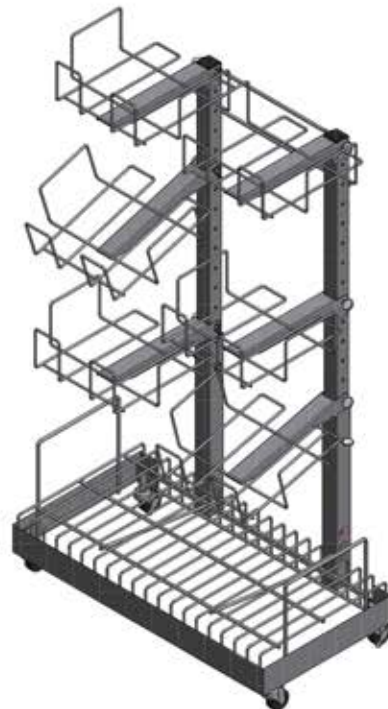
Upright



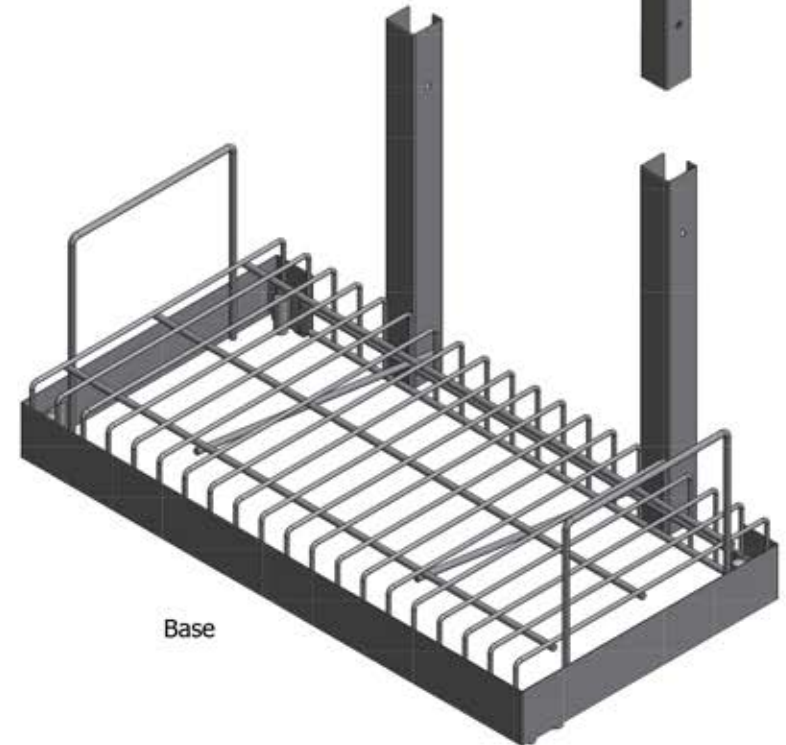
Six shelf



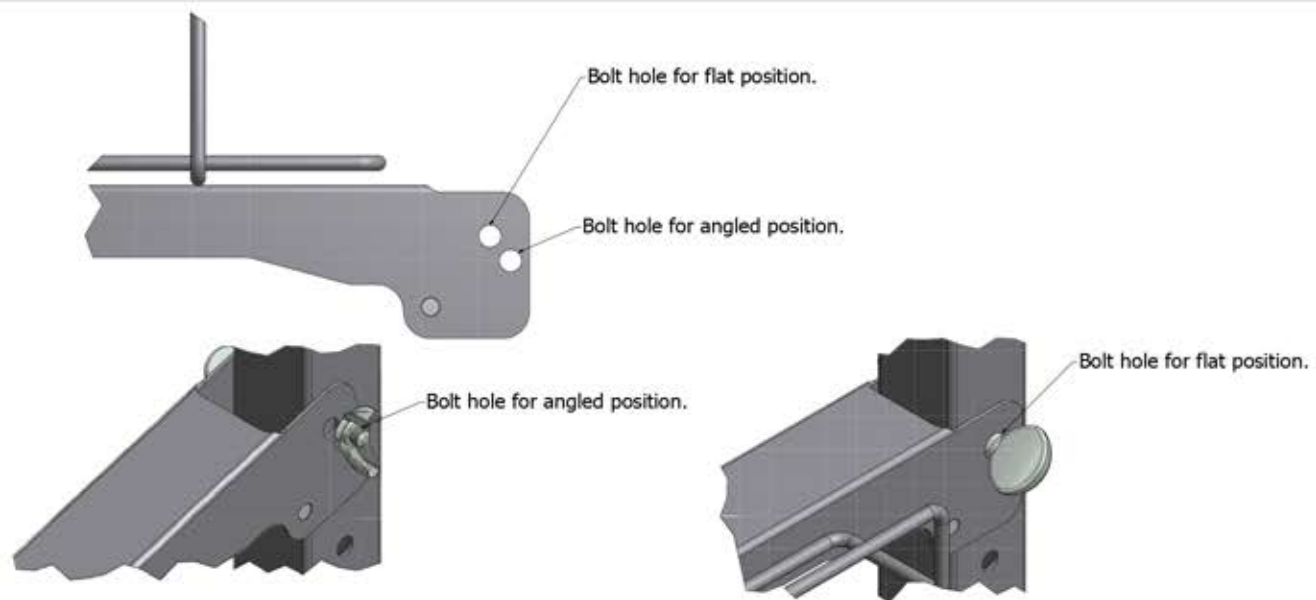
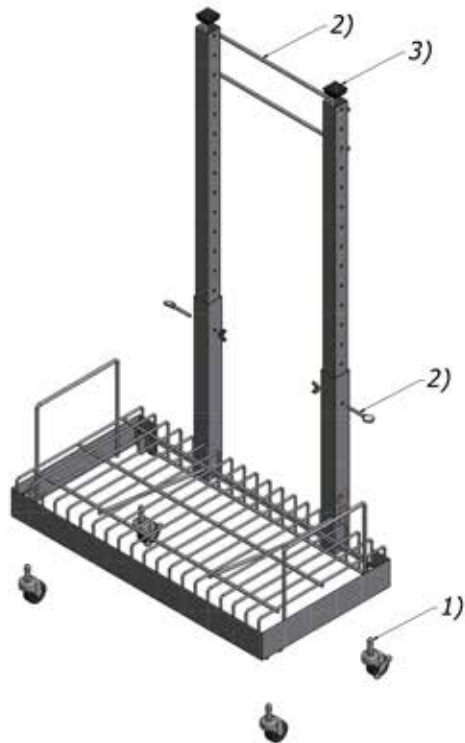
Angled and Flat Positions



Finished Assembly



Base



Rack is adjustable- shelves can be positioned as desired.
Height can be adjusted vertically as desired.

1) Insert two wheels with brakes and two wheels without brakes into the sockets on the bottom of the base.

2) Place upright into base with the two cross wires at the top and back of the rack. Align lowest holes in upright with the top holes in the base and secure with two screws and wing nuts.

3) Insert two end caps into the top of the upright.

4) Separate the top shelves from the lower shelves. The top shelves are shorter.

5) To install the shelves flat align the top hole of the shelf with the top hole in the upright. To install at an angle align the bottom hole of the shelf with the top hole of the upright. Secure with a screw and wing nut.

6) Repeat with the lower four shelves positioned as needed.

